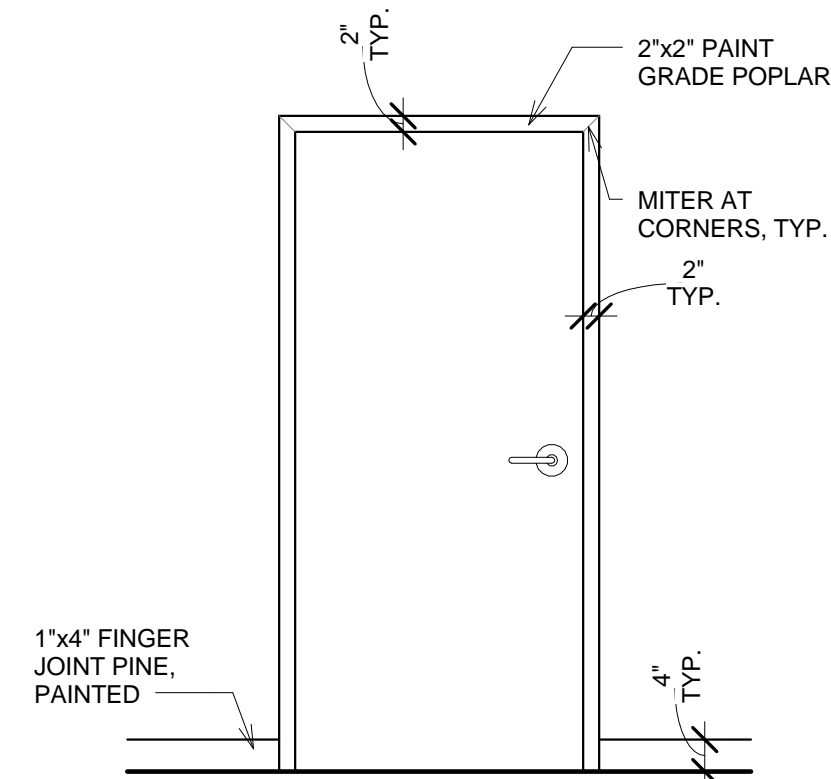
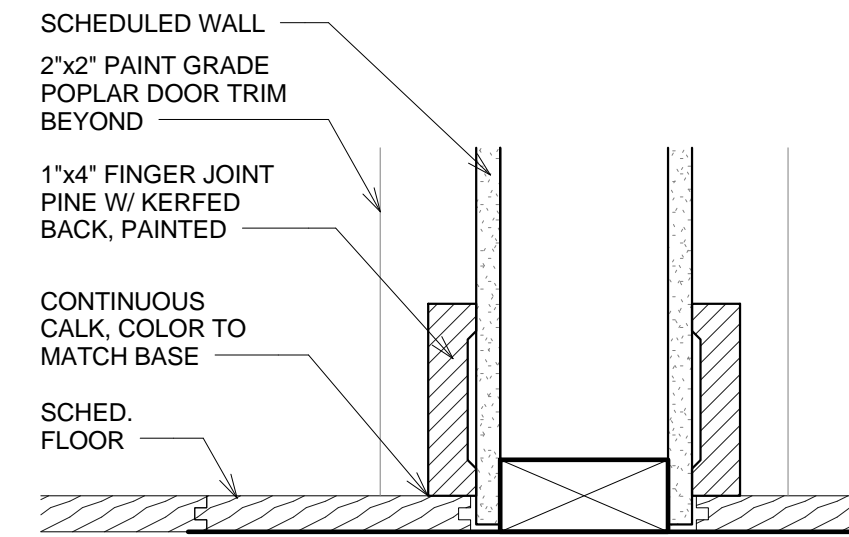


DOOR STYLE LEGEND  
1/4" = 1'-0"

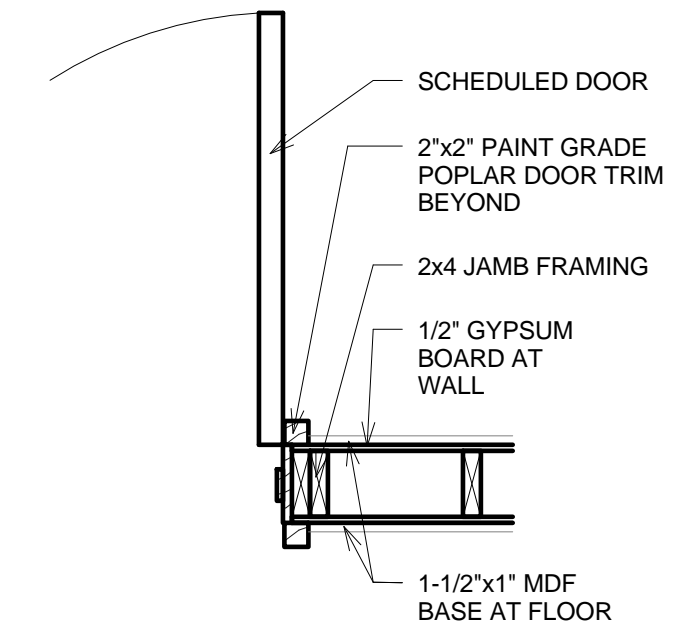
Mark	Width	Height	Door Schedule			Description
			Door Style	Material	Door Finish	
100	3' - 0"	6' - 8"	FULL LITE DOOR	WOOD	Aluminum Clad	Exterior Door, Provide Insulated Glass
100A	2' - 8"	6' - 8"	FLUSH DOOR	WOOD	Painted	
100B	2' - 4"	6' - 8"	FLUSH DOOR	WOOD	Painted	
102	3' - 0"	6' - 8"	FULL LITE DOOR	WOOD	Aluminum Clad	Exterior Door, Provide Insulated Glass
102A	2' - 4"	6' - 8"	POCKET DOOR	WOOD	Painted	
103	2' - 0"	6' - 8"	FLUSH DOOR	WOOD	Painted	
105	3' - 0"	6' - 8"	FULL LITE DOOR	WOOD	Aluminum Clad	Exterior Door, Provide Insulated Glass
105A	2' - 4"	6' - 8"	POCKET DOOR	WOOD	Painted	
105B	3' - 0"	6' - 8"	FULL LITE DOOR	WOOD	Aluminum Clad	Exterior Door, Provide Insulated Glass
106	2' - 8"	6' - 8"	FLUSH DOOR	WOOD	Painted	
106A	2' - 8"	6' - 8"	POCKET DOOR	WOOD	Painted	
107	2' - 6"	6' - 8"	FLUSH DOOR	WOOD	Painted	
108	18' - 0"	7' - 0"	SECTIONAL OVERHEAD DOOR	ALUMINUM	Aluminum	
108A	2' - 8"	6' - 8"	FLUSH DOOR	WOOD	Aluminum Clad	Exterior Door
110	2' - 0"	6' - 8"	FLUSH DOOR	WOOD	Painted	
110B	2' - 4"	6' - 8"	POCKET DOOR	WOOD	Painted	
111	2' - 8"	6' - 8"	FLUSH DOOR	WOOD	Painted	
111A	4' - 0"	6' - 8"	PAIR OF FLUSH DOORS	WOOD	Painted	
112	2' - 8"	6' - 8"	FLUSH DOOR	WOOD	Painted	
112A	5' - 0"	6' - 8"	PAIR OF FLUSH DOORS	WOOD	Painted	
112B	5' - 0"	6' - 8"	PAIR OF FLUSH DOORS	WOOD	Painted	
201	2' - 4"	6' - 8"	FLUSH DOOR	WOOD	Painted	
202	2' - 4"	6' - 8"	POCKET DOOR	WOOD	Painted	
202A	2' - 0"	6' - 8"	FLUSH DOOR	WOOD	Painted	
203	2' - 8"	6' - 8"	POCKET DOOR	WOOD	Painted	
204	2' - 8"	6' - 8"	POCKET DOOR	WOOD	Painted	
205	2' - 8"	6' - 8"	POCKET DOOR	WOOD	Painted	
206	2' - 8"	6' - 8"	FULL LITE DOOR	WOOD	Painted	
210	2' - 6"	6' - 8"	FLUSH DOOR	WOOD	Painted	
210A	2' - 0"	6' - 8"	FLUSH DOOR	WOOD	Painted	
211	2' - 8"	6' - 8"	FLUSH DOOR	WOOD	Painted	
211A	2' - 0"	6' - 8"	FLUSH DOOR	WOOD	Painted	



TYPICAL DOOR TRIM AND WALL BASE  
1/2" = 1'-0"



WOOD BASE DETAIL  
3" = 1'-0"



INTERIOR DOOR TRIM DETAIL  
3/4" = 1'-0"

WINDOW SCHEDULE						
Type Mark	Width	Height	Manufacturer	TEMPERED GLASS	Comments	Count
A	2' - 2"	3' - 9"	TBD	No		2
B	4' - 4"	3' - 9"	TBD	No		2
C	1' - 0"	5' - 5 5/8"	TBD	Yes		3
D	3' - 0"	5' - 8"	TBD	No		2
E	3' - 0"	3' - 9"	TBD	No		1
F	5' - 0"	3' - 0"	TBD	No		1
G	3' - 0"	5' - 4"	TBD	No		3
H	4' - 8"	3' - 6"	TBD	No	NEW EGRESS WINDOW	1
J	5' - 0"	1' - 10"	TBD	No	PROVIDE TRANSLUSCENT GLASS	1
L	2' - 0"	2' - 0"	TBD	No		1
M	3' - 0"	3' - 9"	TBD	No	NEW EGRESS WINDOW	1
N	3' - 0"		TBD	No		6
P	4' - 0"		TBD	No		3
Q			TBD	No		2
S	3' - 0"	5' - 4"	TBD	No		2
U	2' - 0"		TBD	No	PROVIDE TRANSLUSCENT GLASS	2
V	2' - 0"	2' - 10"	TBD	No		1
W	3' - 0"	6' - 7"	TBD	No		3
Y	2' - 6"	4' - 8"	TBD	No		1
Z	2' - 6"	2' - 0"	TBD	Yes		1

Grand total: 39

STAMP:



5-22-2015

ISSUE:

Phase 5-22-2015

SQUARE FOOTAGE:

DRAWING TITLE:

**WINDOWS AND DOORS SCHEDULE**

JOB NO. DATE  
212 5-22-2015

SHEET NUMBER

**A9.0**  
CARSON DESIGN ASSOCIATES