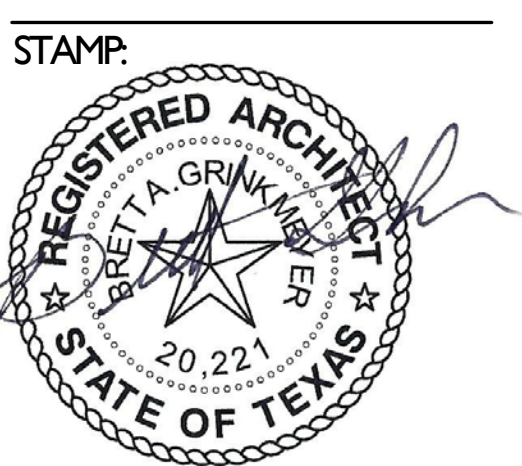
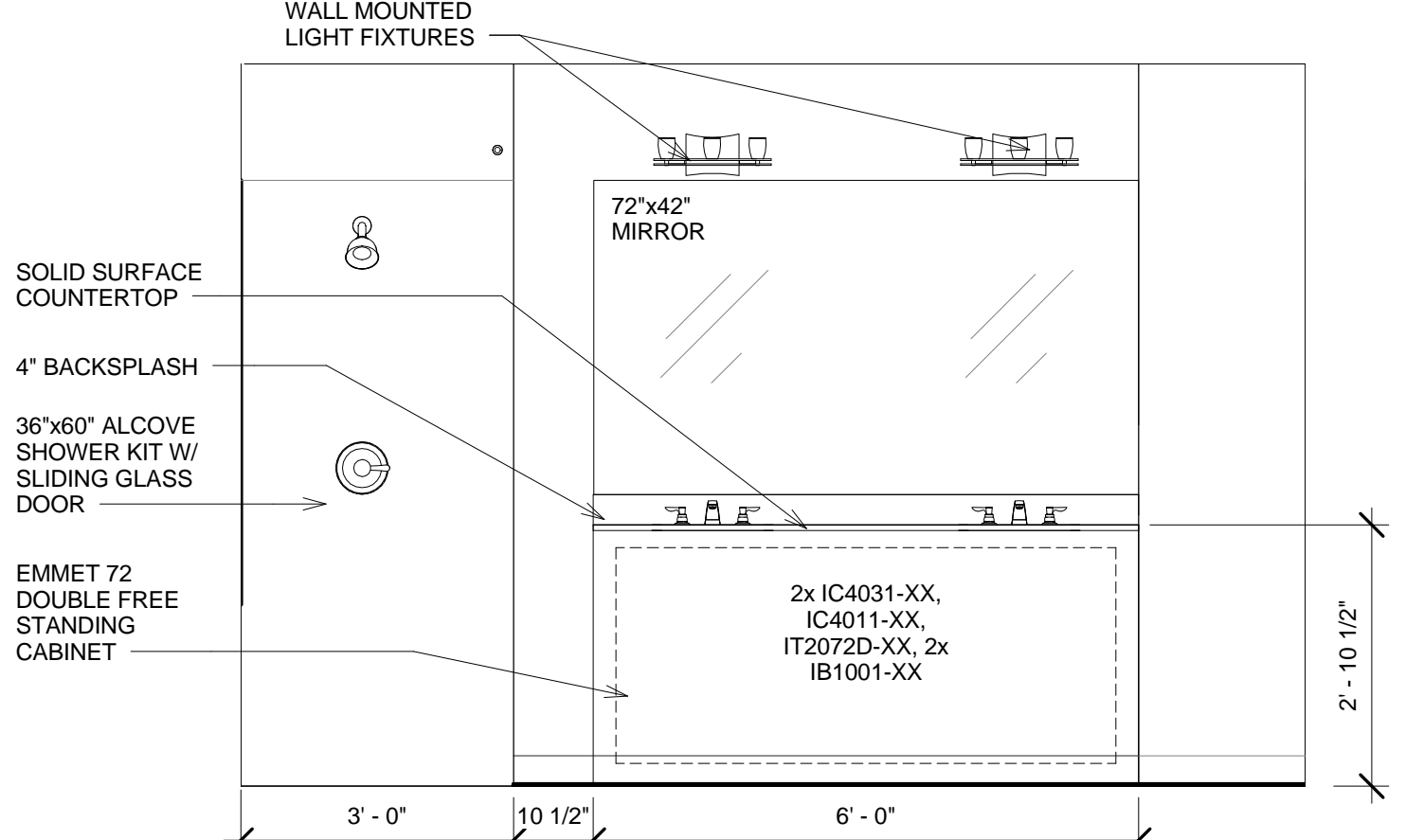
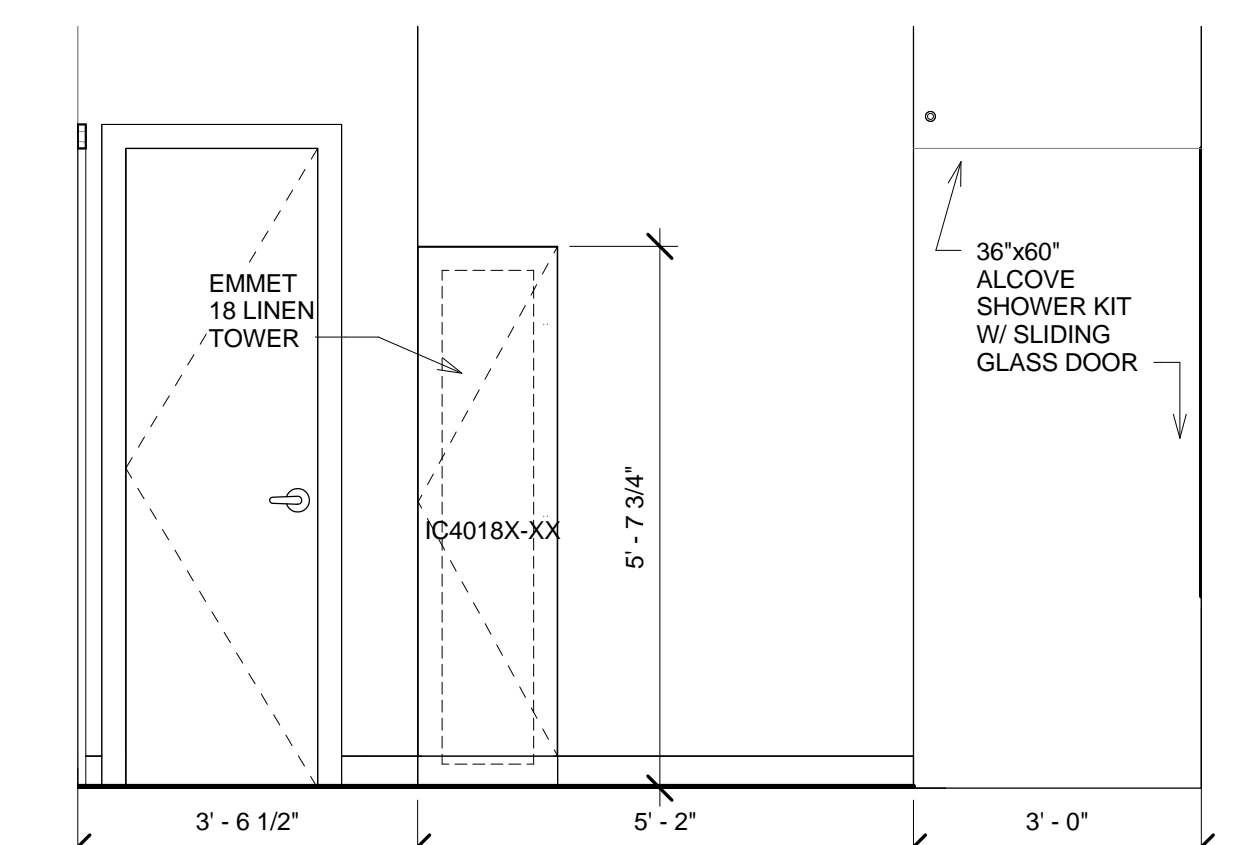
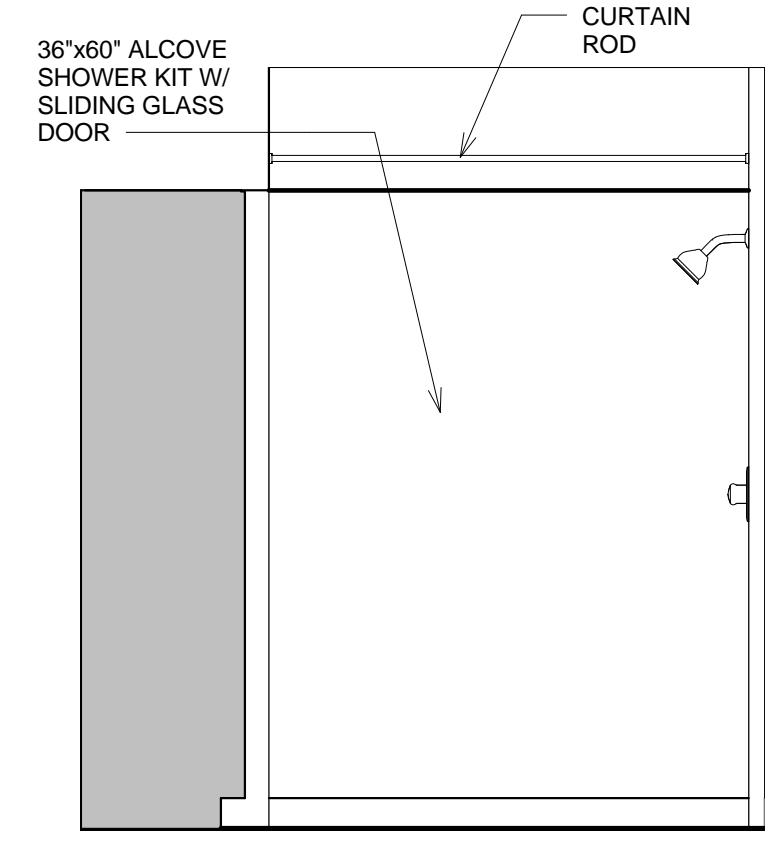
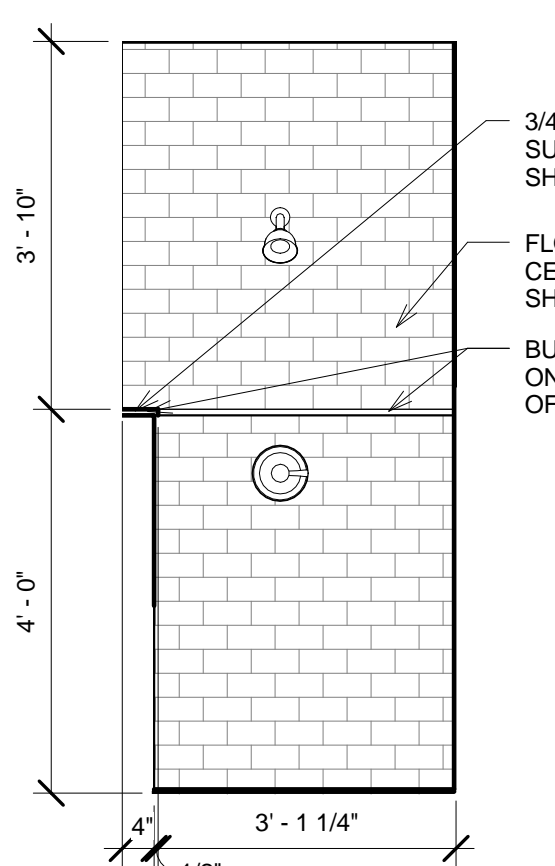
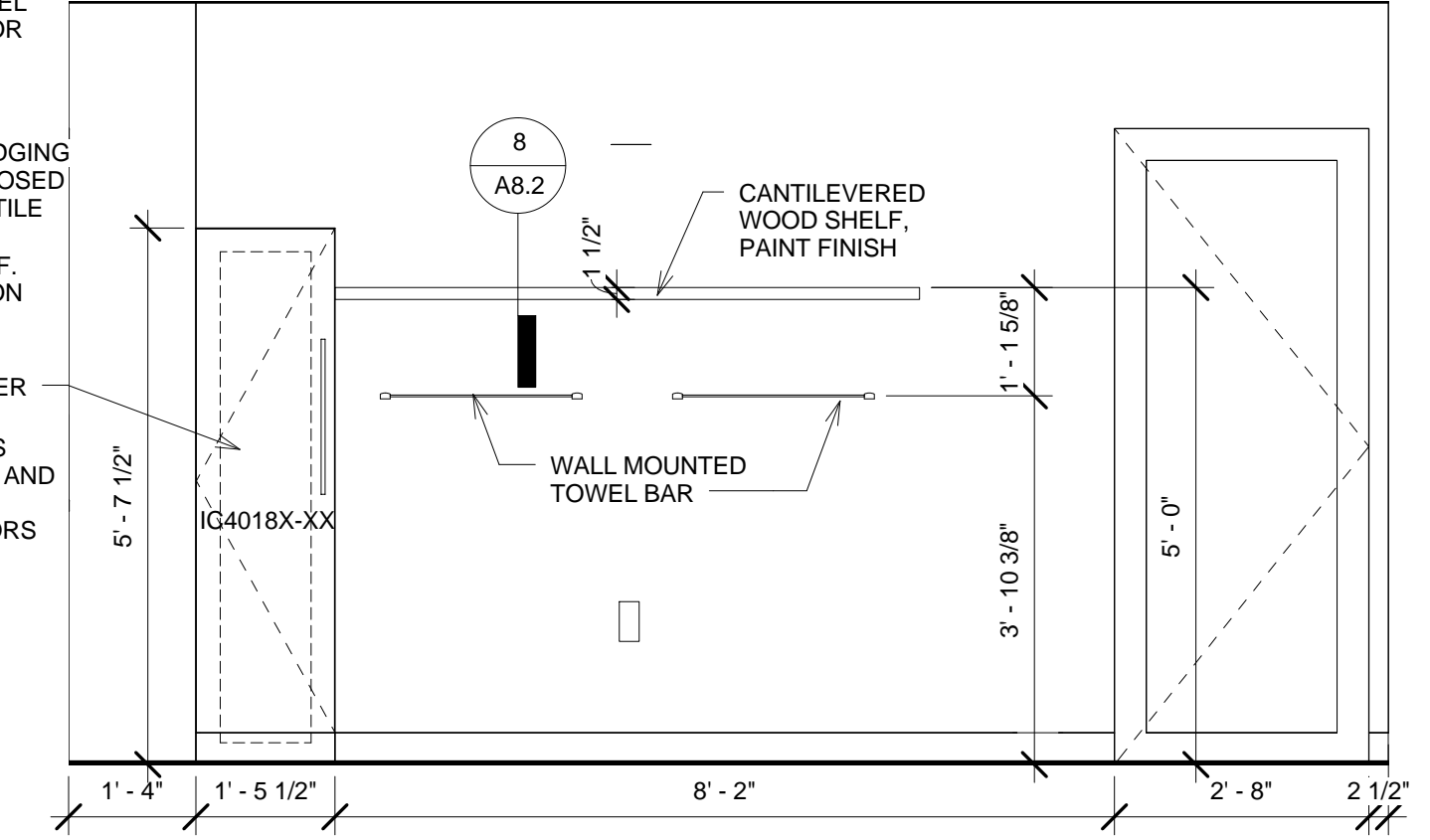
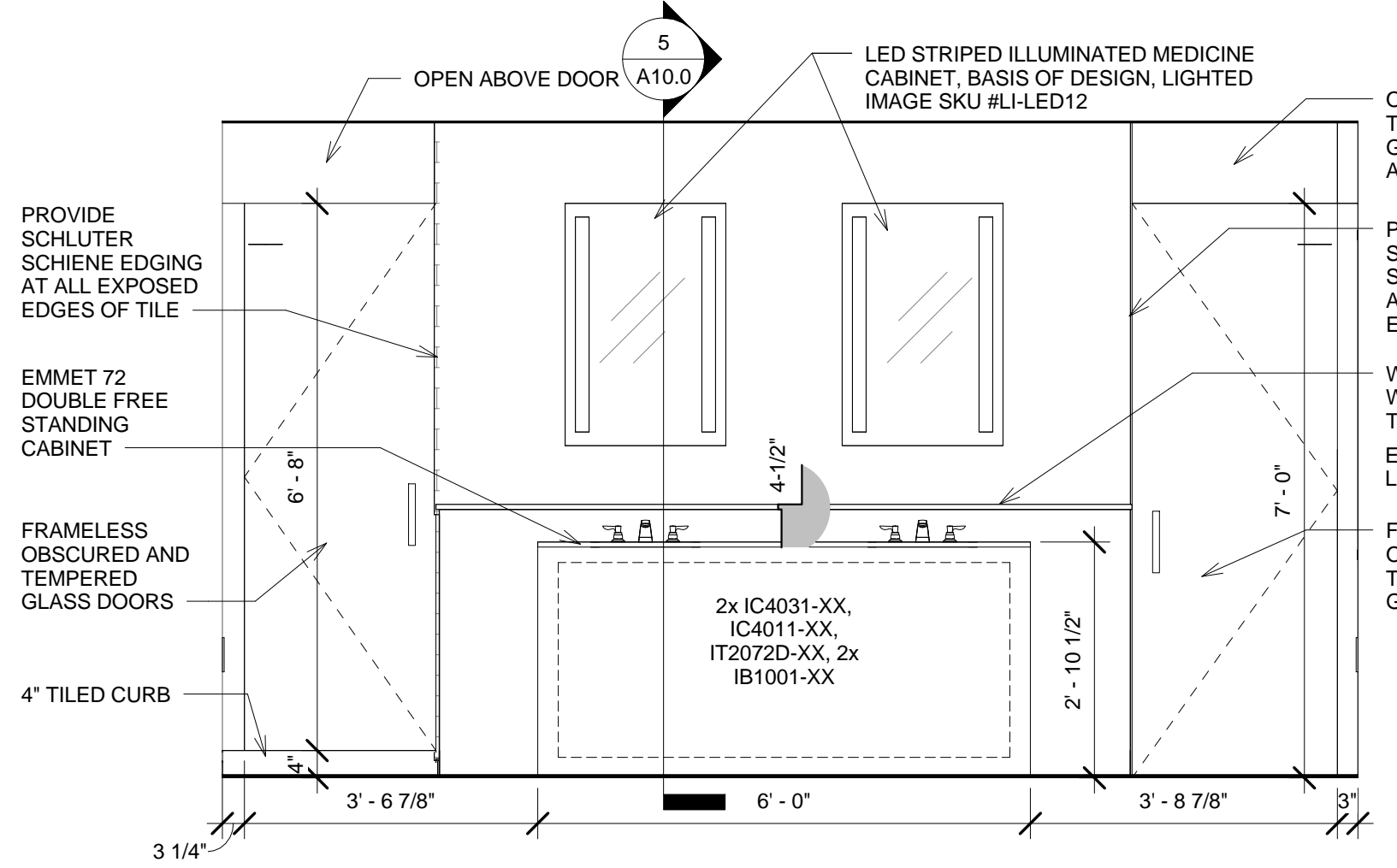
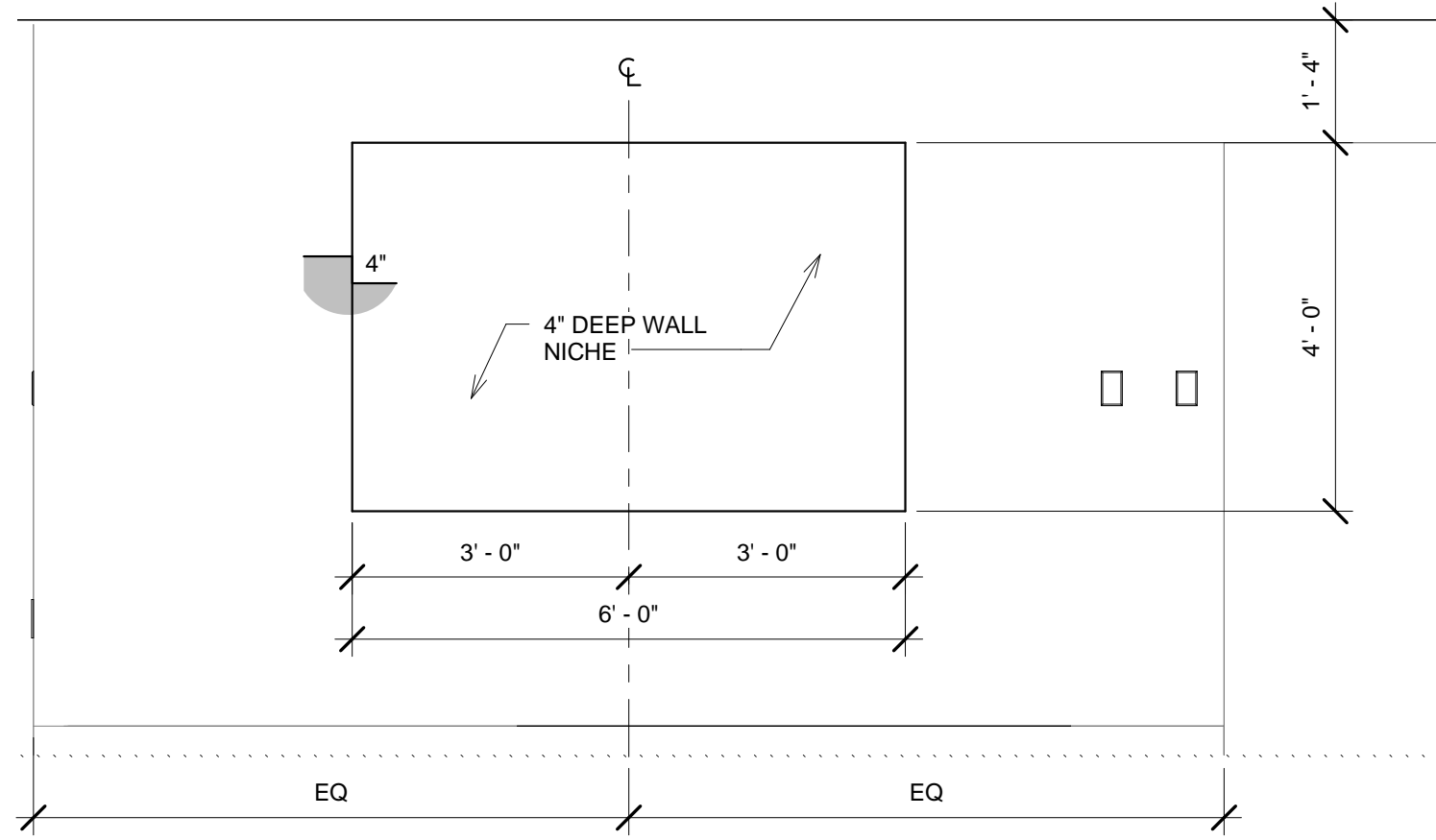
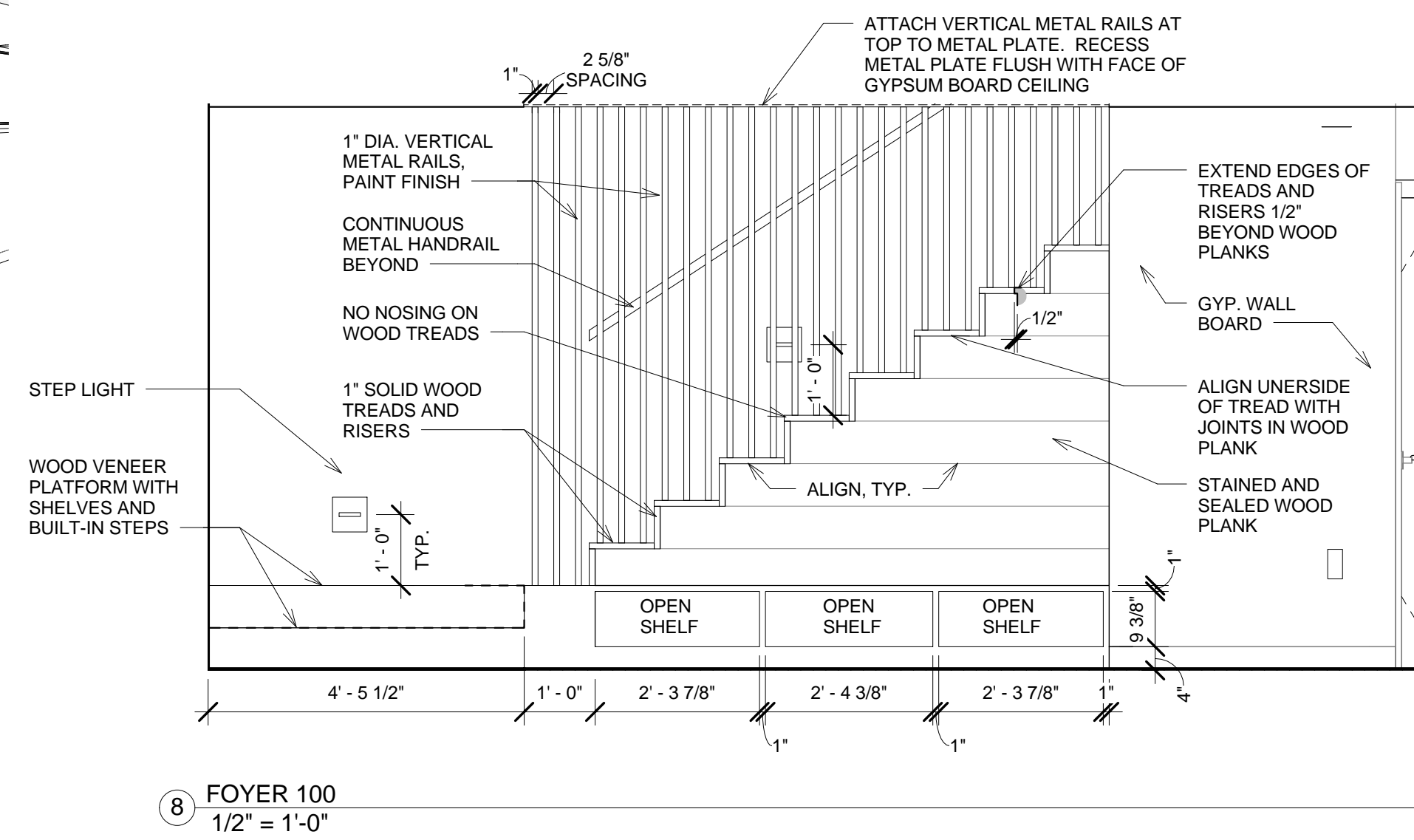


10 CD VIEW OF STAIRS 1



9 CD VIEW OF STAIRS 2

GENERAL INTERIOR ELEVATION NOTES	
Key Name	INTERIOR ELEVATION NOTES
1	DIMENSIONS SHOWN ON INTERIOR ELEVATIONS AT WALLS ARE TO THE FINISHED SURFACE.
2	



5-22-2015  
ISSUE  
Phase 5-22-2015

SQUARE FOOTAGE  
DRAWING TITLE

**INTERIOR ELEVATIONS**  
JOB NO. DATE  
212 5-22-2015  
SHEET NUMBER