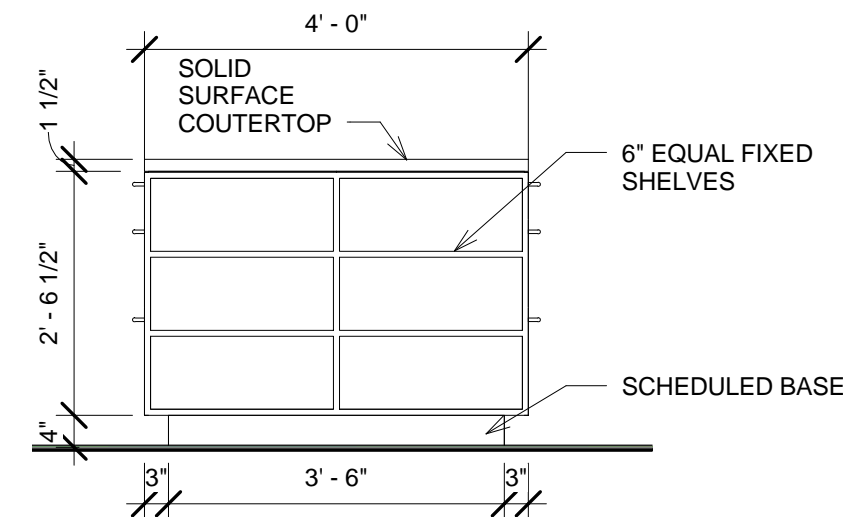
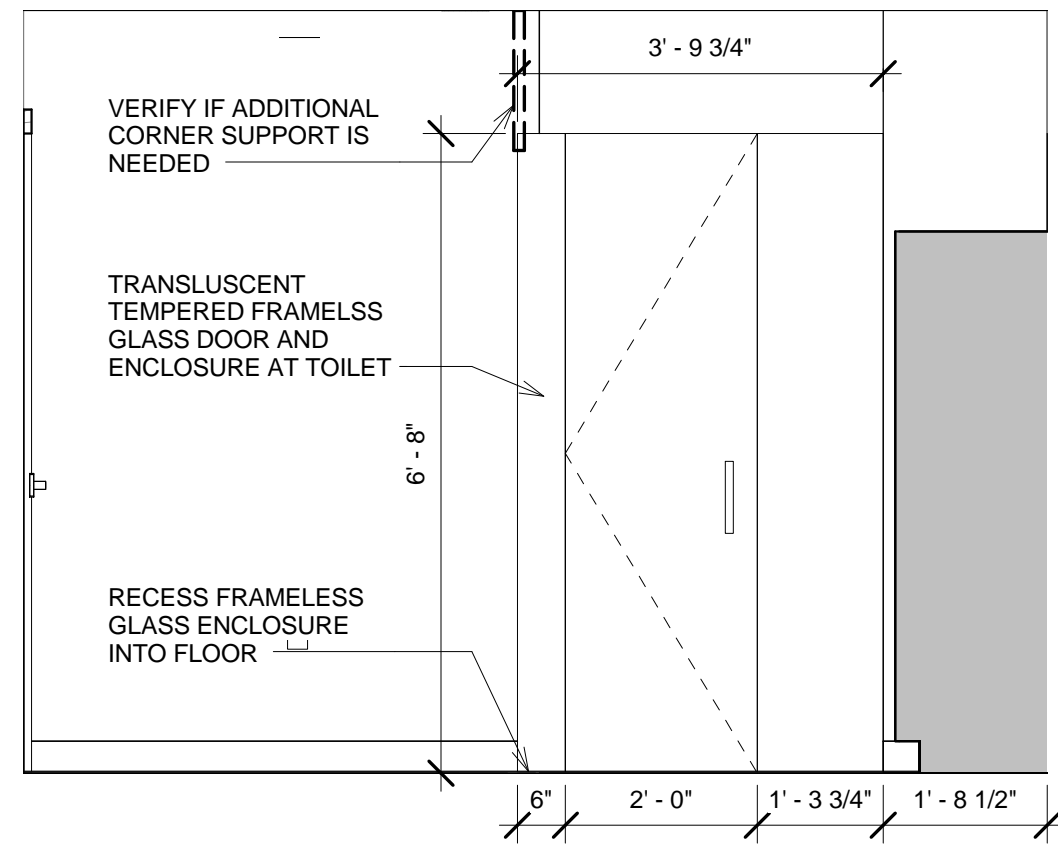


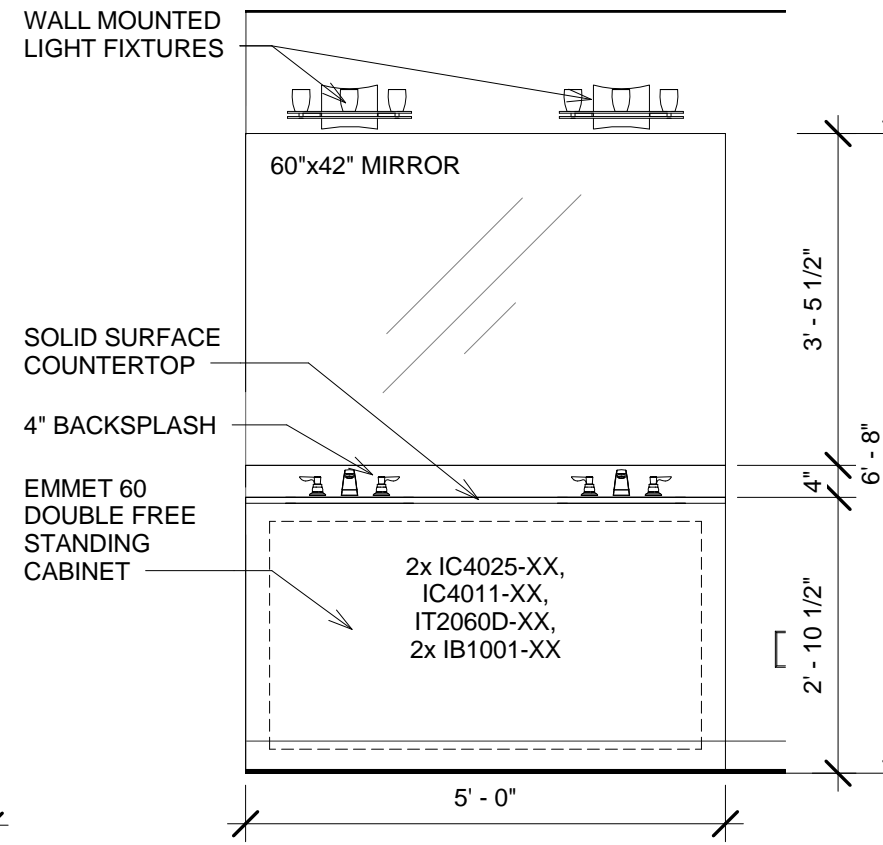
9 KITCHEN AXONOMETRIC



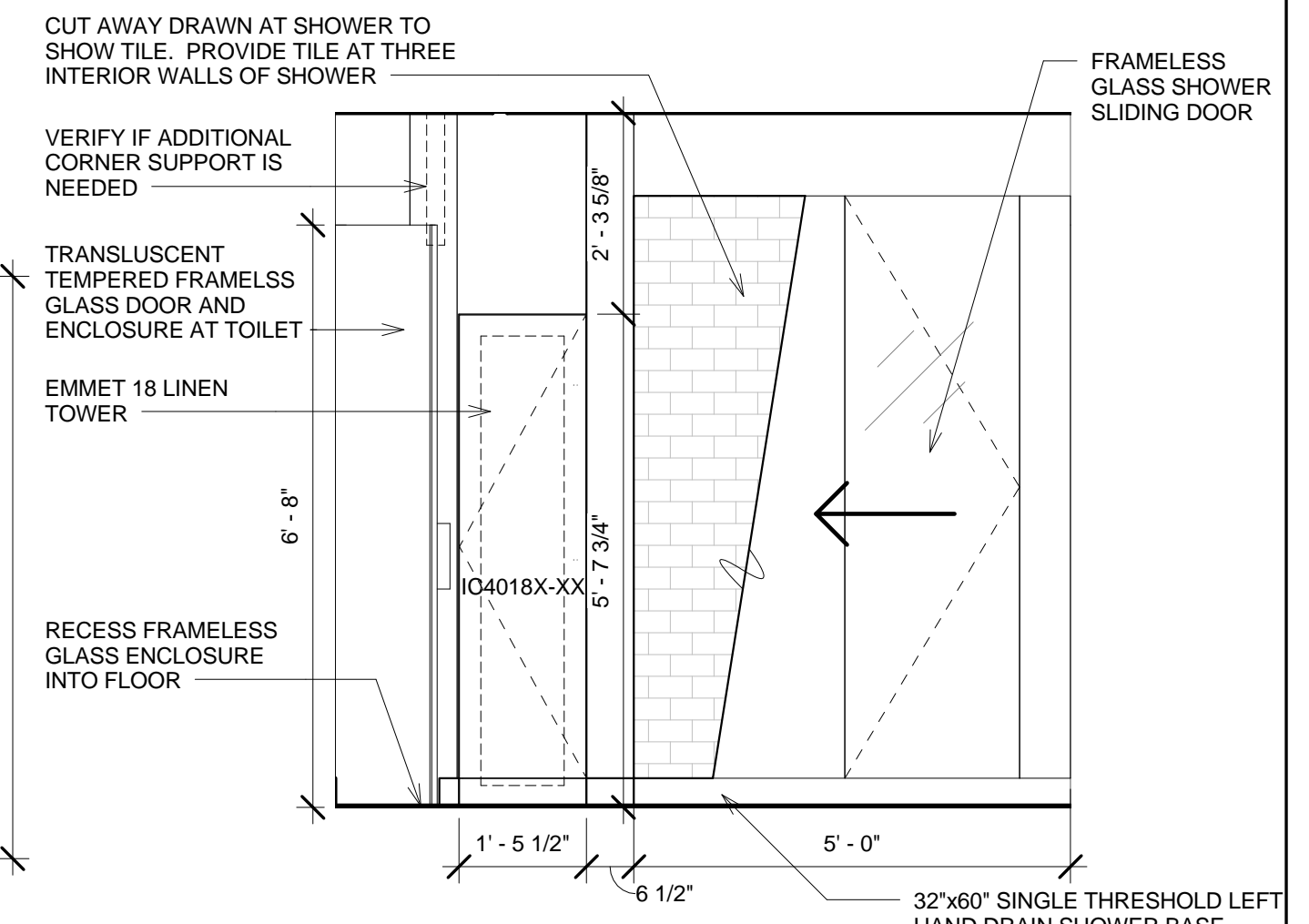
10 KITCHEN 105 - ISLAND WEST
1/2" = 1'-0"



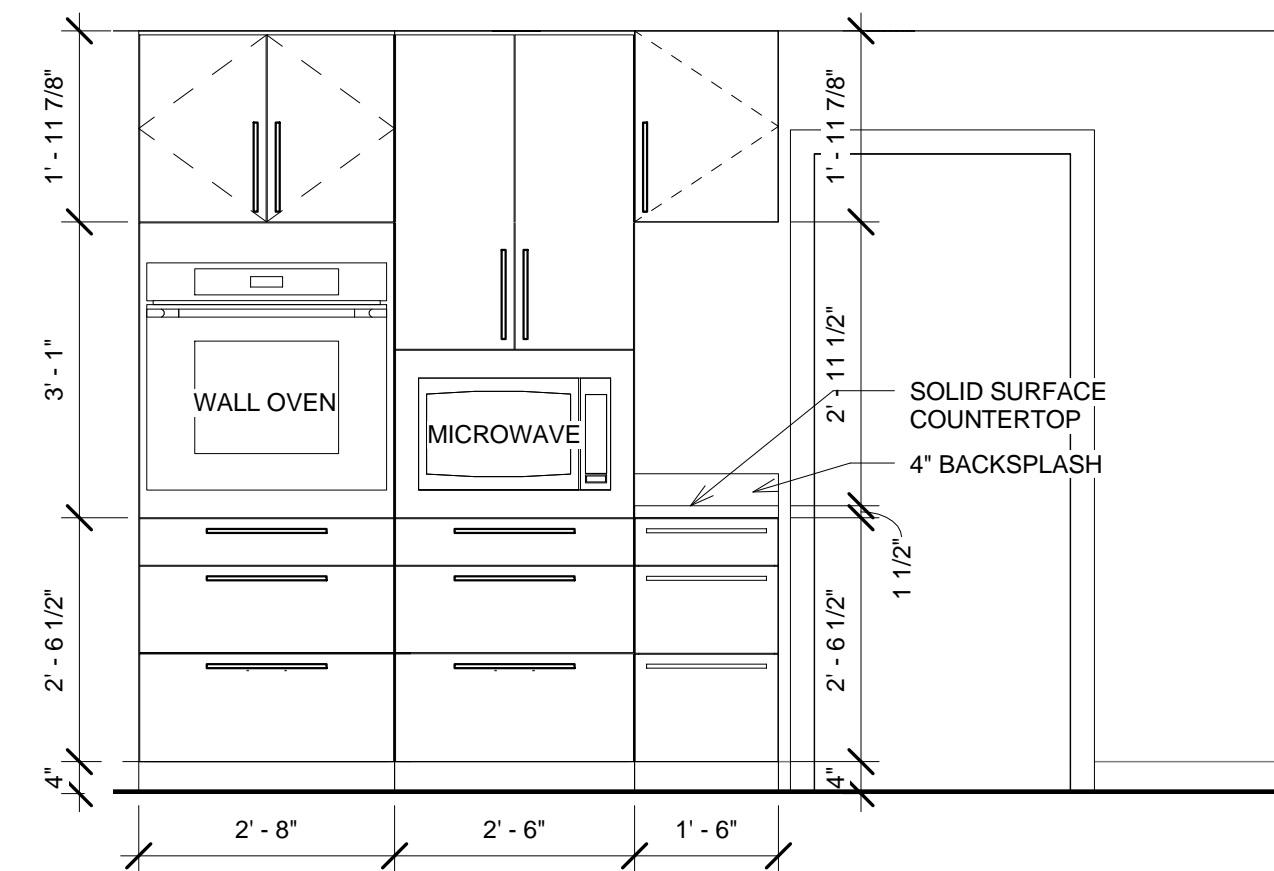
11 BATHROOM 2 110 - SOUTH WALL
1/2" = 1'-0"



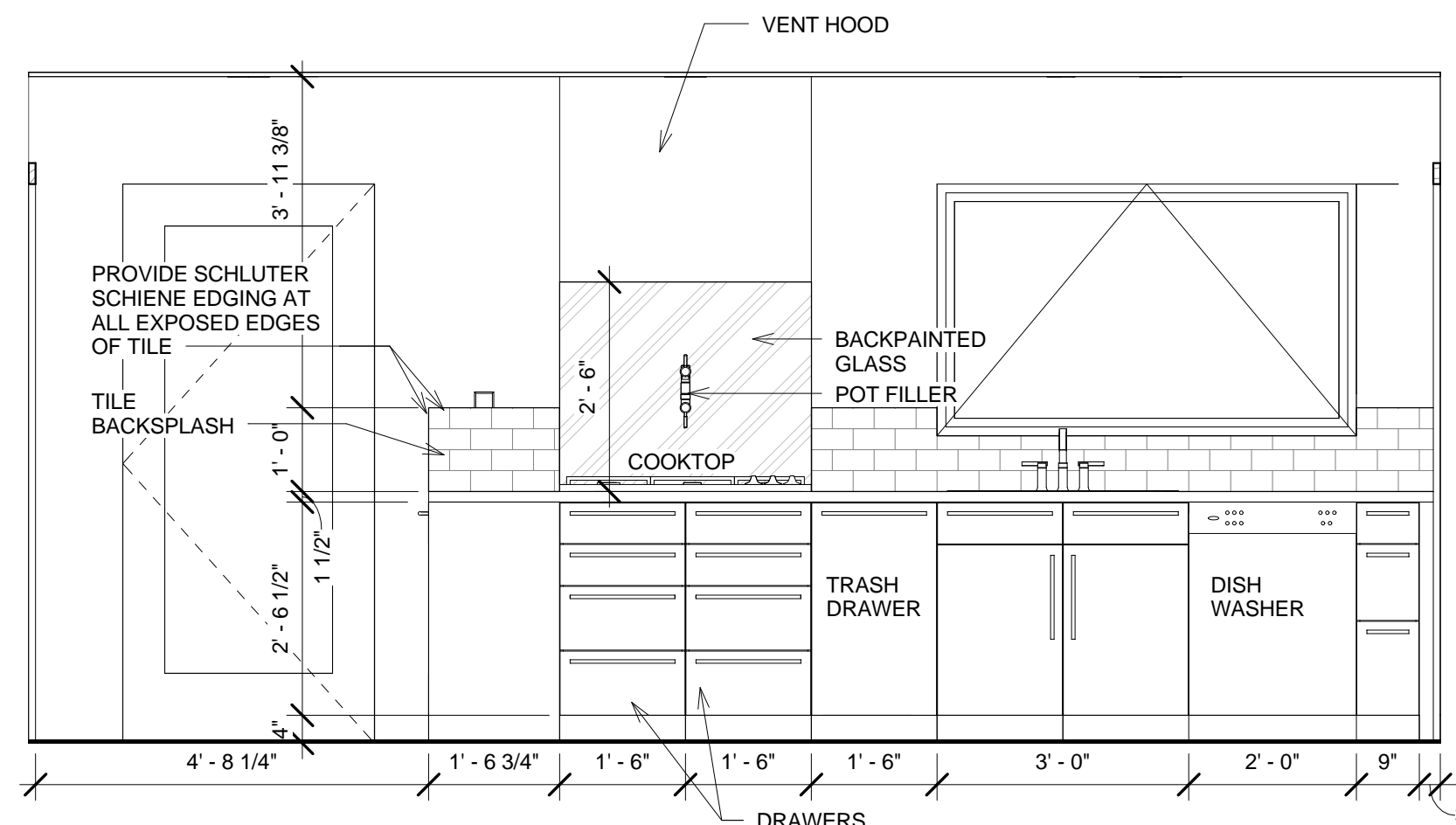
8 BATHROOM 2 110 - WEST WALL
1/2" = 1'-0"



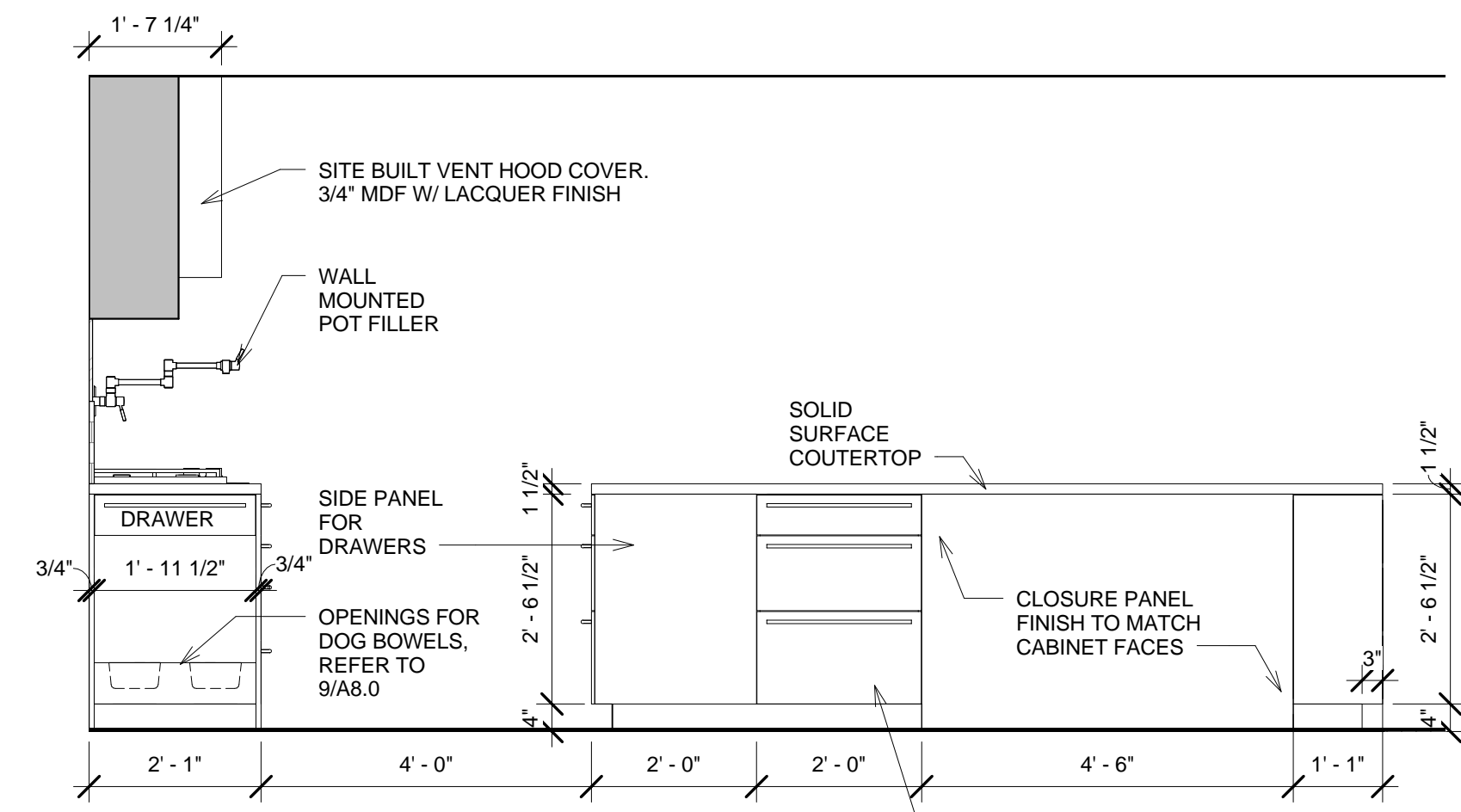
7 BATHROOM 2 110 - EAST WALL
1/2" = 1'-0"



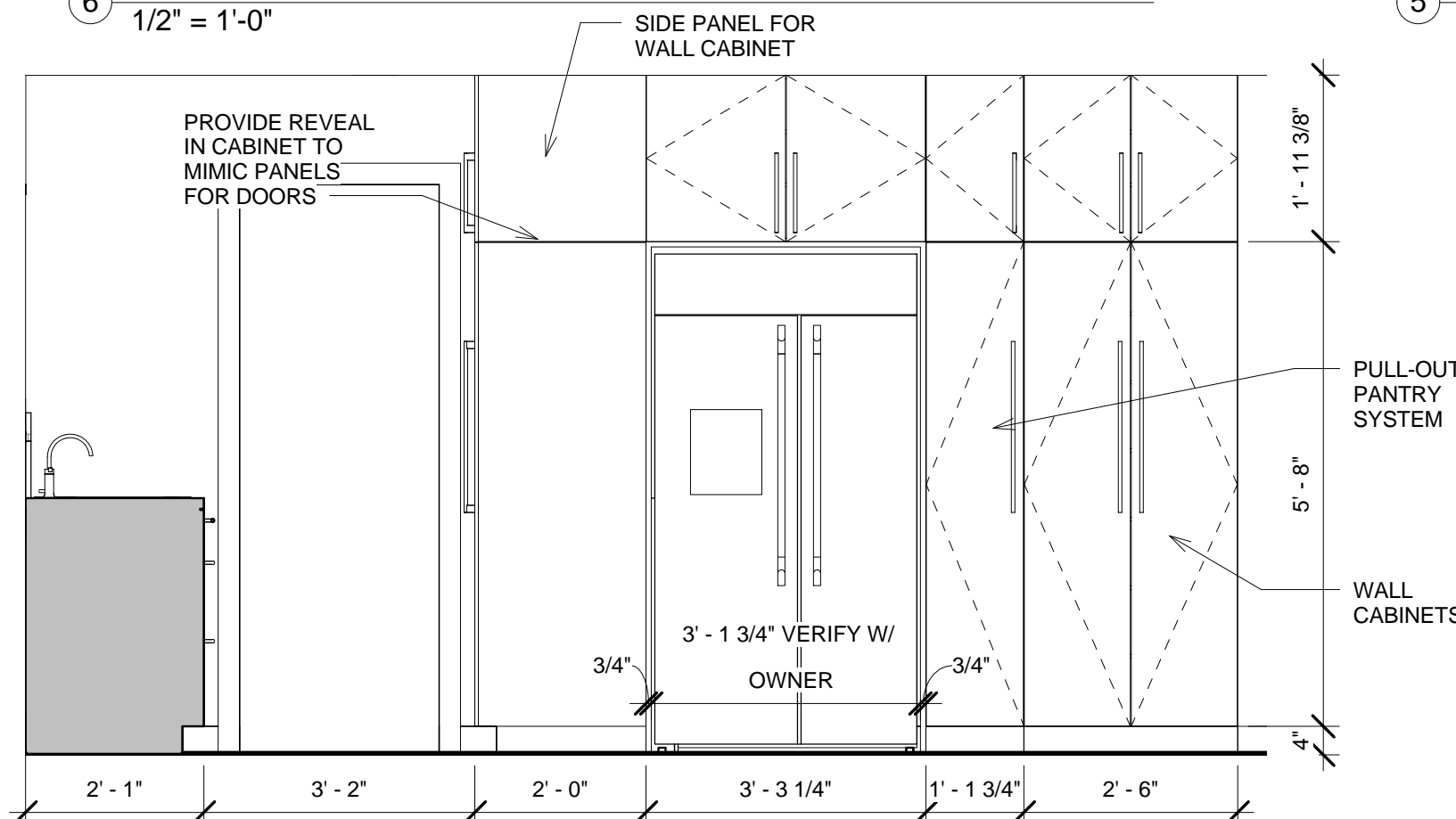
6 KITCHEN 108 - SOUTH WALL
1/2" = 1'-0"



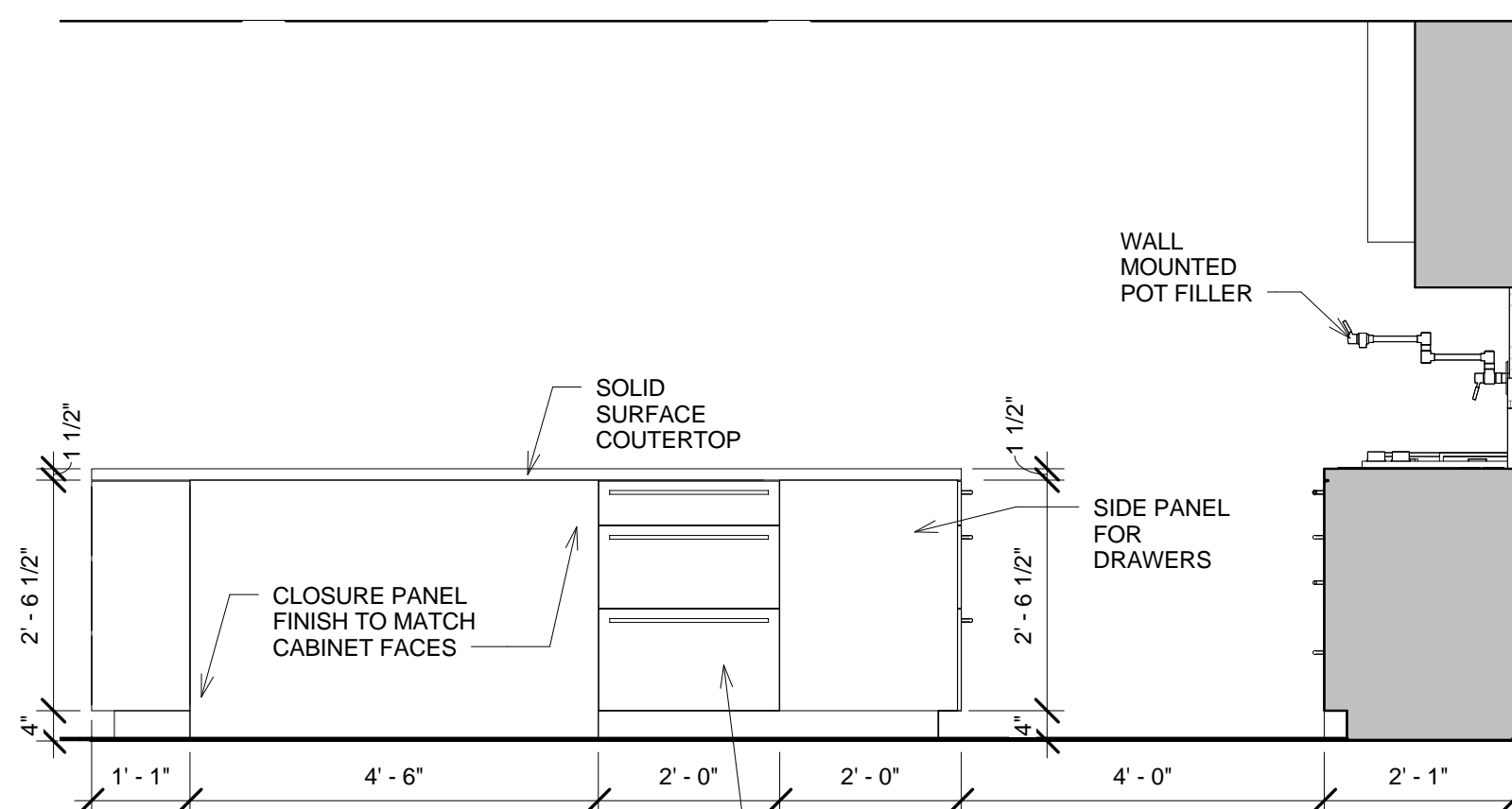
5 KITCHEN 105 - WEST WALL
1/2" = 1'-0"



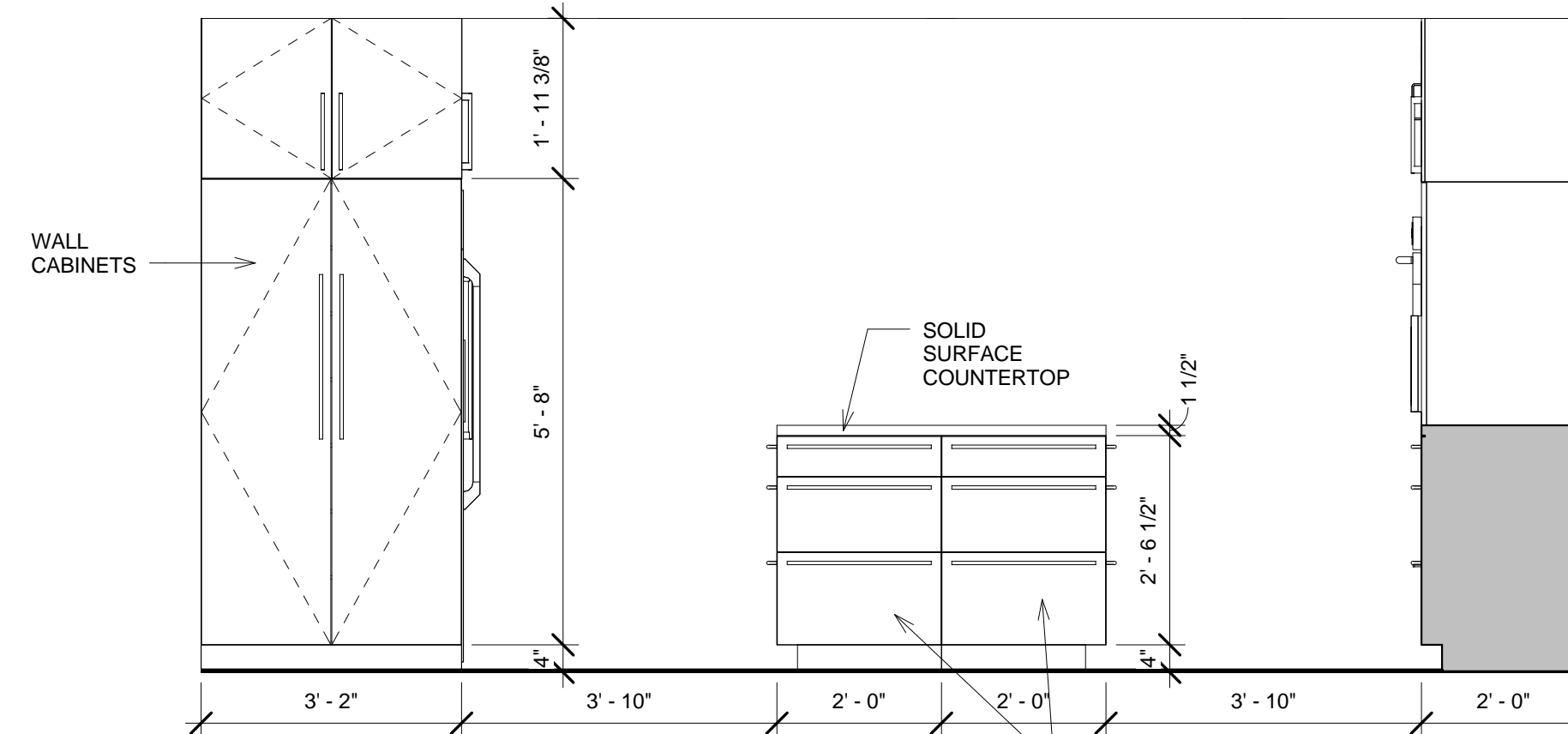
4 KITCHEN 105 - NORTH WALLS
1/2" = 1'-0"



3 KITCHEN 105 - NORTH WALL
1/2" = 1'-0"



2 KITCHEN 105 - ISLAND SOUTH ELEV.
1/2" = 1'-0"



1 KITCHEN 105 - ISLAND EAST ELEV.
1/2" = 1'-0"

GENERAL INTERIOR ELEVATION NOTES	
Key Name	INTERIOR ELEVATION NOTES
1	DIMENSIONS SHOWN ON INTERIOR ELEVATIONS AT WALLS ARE TO THE FINISHED SURFACE.
2	

STAMP



5-22-2015

ISSUE

Phase 5-22-2015

SQUARE FOOTAGE

DRAWING TITLE

INTERIOR ELEVATIONS

JOB NO. DATE

212 5-22-2015

SHEET NUMBER

A8.0

COPYRIGHT 2012 CARSON DESIGN ASSOCIATES